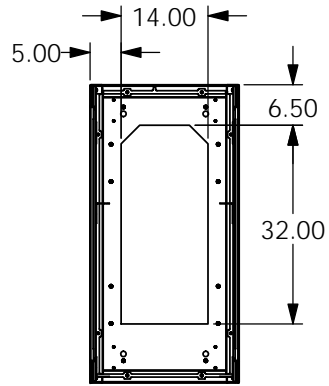
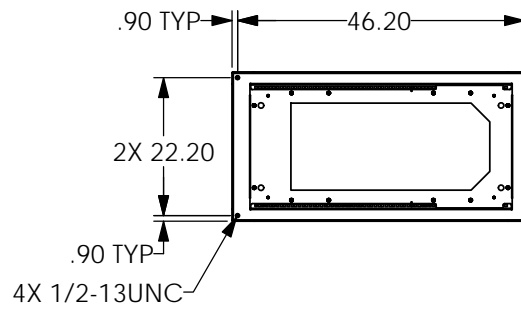
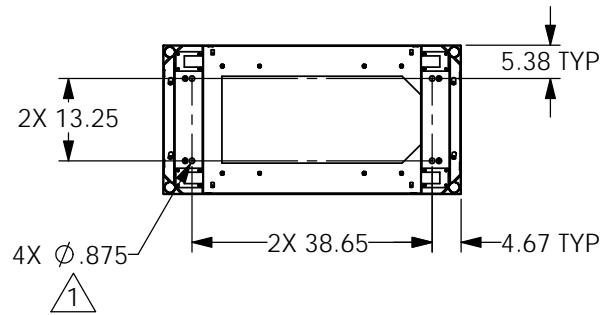
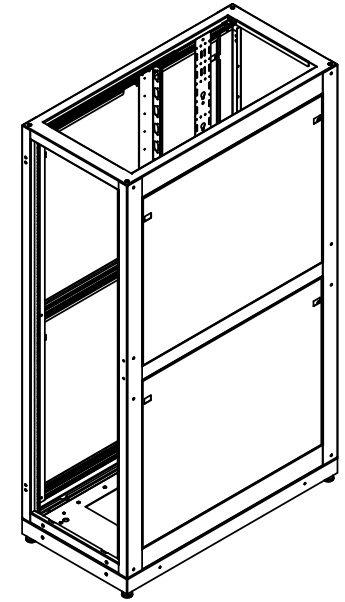
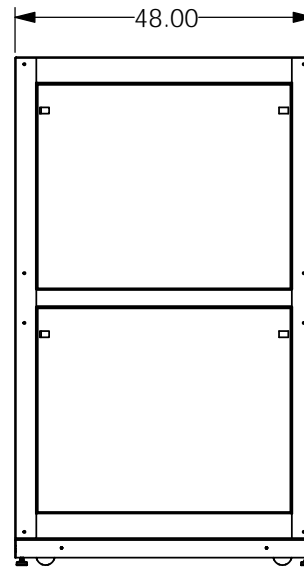
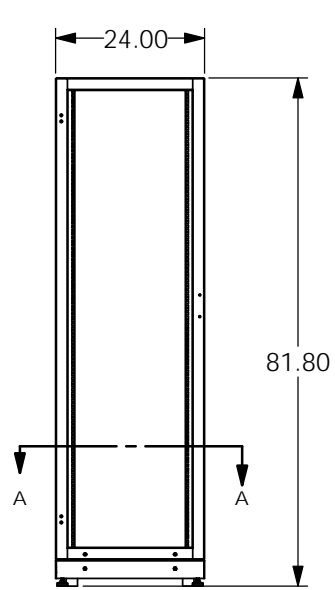


ZONE		REV		REVISIONS			BY	DATE	APR
				DESCRIPTION					
	R01			INITIAL RELEASE	JJ		02/23/17	JJ	



SECTION A-A  
(FLOOR OPENING)



NOTES: (UNLESS OTHERWISE SPECIFIED)

1 THRU-HOLES REDUCED FROM  $\phi .875"$  TO  $\phi .750"$  WHEN USING INTERNAL FLOOR MOUNTING OPTION.

BILL OF MATERIALS		QTY	UOM	REV
DESCRIPTION	QTY	UOM	REV	DATE
UNTIL CHECKED	0	PURCS	01/22/17	
REWORKED				
REMOVED				
REWORKED				
REMOVED				
REWORKED				
REMOVED				
REWORKED				
REMOVED				

ASA Computers/Racklive	
TITLE	
RACK, 42U 24"W X 48"D	
SIZE	DRWG. NO.
D	RL422448-D1
SCALE	WEIGHT
1:10	
REV	DATE
01	

